

XDIAVEL

ARE YOU READY TO CHANGE POSITION?





Index

4	The gentleman and the bastard	24	Servicing and maintenance
6	Low speed excitement	27	Technical data
8	The engine is the king	35	Apparel & accessories
11	Cruiser spirit, Ducati performance	38	XDiaveltailor-made
14	Tailor-made ergonomics		
17	Advanced electronics		
18	Impianto luci Full LED con DRL		
20	XDiavel spremium, refined, innovative		

the gentleman

the bastard

The meeting of two seemingly opposite, complementary and fundamental worlds. Two souls that distinguish the XDiavel, or rather a comfortable, relaxed cruiser and also a bike that guarantees sports riding enjoyment. The XDiavel epitomises elegance and non-conformism, relaxation and performance.



Low speed excitement

The design, technical content and performance of the Ducati XDiavel are part of its very DNA as a true cruiser. The Ducati XDiavel represents the best of both worlds.

The Ducati world: thrilling performance, sporty power, advanced electronics.

The cruiser world: long, low, forward-positioned footpegs, powerful torque even at low speeds, no compromises in terms of materials and finishes.

XDiavel is also “low speed excitement”: relaxed at lower speeds, in true cruiser style combined with the adrenaline of sports riding that characterises every Ducati.

Cruiser culture, Italian beauty

Long, low, muscular, with a modern design and refined components, but above all, sexy. This is how designers envisioned the XDiavel when work started on the initial sketches.

The style of the XDiavel is elegant, harmonious and clean, the pinnacle of Ducati excellence in terms of design and close connection between aesthetics and

mechanics.

The result is a celebration of forms with technical equipment that is not just a collection of parts to ensure performance, but also an element of sheer beauty.

The XDiavel thus represents Italian design applied to the paradigms of the cruiser world with strength and style.

Feet forward, cornering performance

The XDiavel flows along the long straight routes, providing a sense of control, comfort and relaxation thanks to the wide handlebars and the forward-positioned footpegs. When it's time to take on the corners, the lean angle proves surprising, in pure Ducati style, ensuring that the XDiavel has dynamic qualities to satisfy even the most demanding of riders.



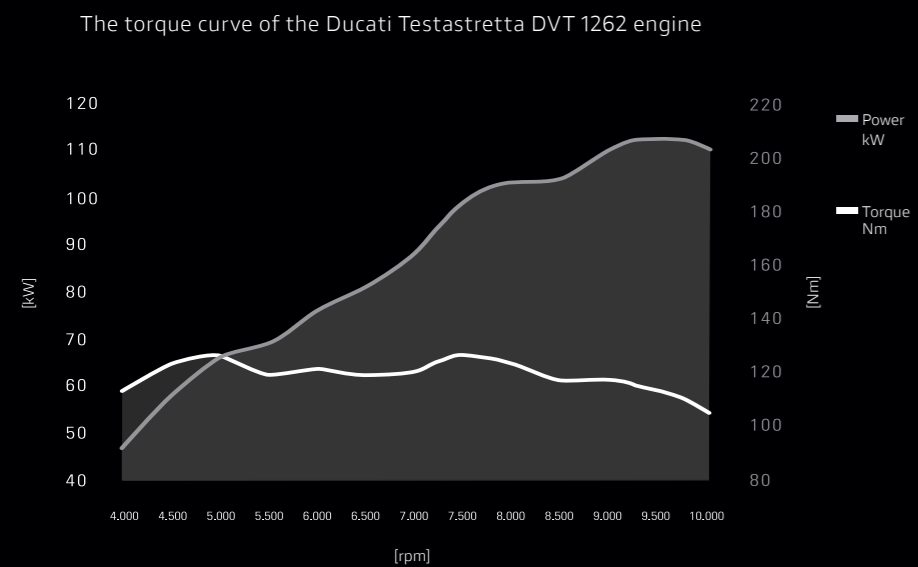


The engine is the king

The Testastretta DVT 1262 reaches its maximum torque of 12.8 kgm at 5,000 rpm, definitely a low engine speed for a two-cylinder bike from Borgo Panigale, but perfect for a relaxed ride in true cruiser style.

What's more, at just 2,100 rpm, the XDiavel's engine already guarantees more than 10 kgm of torque and an extremely flat curve up to the limiter. Its extreme consistency at low revs makes for a smooth ride, even at low speeds.

The Ducati Testastretta DVT 1262 confirms its role as the undeniable centrepiece, in every way, aesthetics included.





Cruiser spirit, Ducati performance

The key dimensions of the bike (seat height, rake and wheelbase) enhance the cruiser character of the XDiavel, ensuring the right balance with sportier handling. The imposing rear tyre, 240 mm in width, boasts double-compound technology to increase grip during extreme leaning. 40 degrees is the maximum lean angle, an incredible number for a bike with forward-positioned footpegs. For this reason, the XDiavel ensures exciting performance combined with the ease and comfort of a real cruiser. Whether on long, straight roads or tight, winding routes, the XDiavel is always able to offer maximum riding enjoyment.



755 mm (29.7 in)
seat height

220 kg (485 lb)
wheelbase

40°
maximum lean angle



Tailor-made ergonomics

When designers and engineers began work on the XDiavel, they started from one key concept: to allow for a relaxed riding position, cruiser-style, with a low seat and forward-positioned footpegs. But that was not all, as complete modularity allows the rider to have the bike fit as if it were a tailor-made suit.

Footpeg position



The rider's footpegs are forward-positioned (1) and adjustable in three positions as standard. Thanks to their unique anchoring system, they can be moved 22.5 mm forwards or back with respect to the standard position. In addition, a central footpeg kit (3) and a rear-positioned footpeg kit (2) are available as accessories, both of which offer various adjustment possibilities. The standard handlebar and seat can be replaced with a handlebar and seat that best suits a rider's tastes and needs. The XDiavel passenger can make use of a standard seat, a wider and more comfortable seat, and a backrest that perfectly integrates with the lines of the bike, all of which are standard equipment.





Advanced electronics

The XDiavel is equipped with an extremely advanced and complete electronics package: Cornering ABS, Inertial Measurement Unit (IMU), Ride By Wire (RbW), Ducati Traction Control (DTC), Power Mode, Riding Modes, Cruise Control, Hands-Free, 3.5" TFT colour dashboard and red backlit handlebar switches.

The three preset Riding Modes, which can be selected while the bike is in motion, are programmed to effect an immediate change in the "personality" of the XDiavel. The three Riding Modes operate by combining different cutting-edge technologies, such as the Ride-by-Wire (RbW), Ducati Traction Control (DTC) and ABS Cornering systems.

Riding in a city means shifting your attention from controlling the throttle to your surroundings. Urban Mode therefore instantly changes the XDiavel's personality, transforming it into an easy-to-handle bike that conveys confidence. The power delivered is decreased to 100 hp, the traction control (DTC) is set to level 6 and the ABS profile to Safe &

Stable, enabling you to navigate uneven surfaces and even the most chaotic traffic with absolute assurance. The Touring Riding Mode allows the engine to use all of its 152 hp, but with a smooth and easy delivery. The DTC system is set to level 4 and the ABS to Safe & Stable, for a pleasant and relaxed ride, ideal for ensuring maximum comfort for rider and passenger alike during long trips.

The Sport Riding Mode offers pure fun, with the engine unleashing its 152 hp with a precise and sporty throttle response. To experience the XDiavel's performance without half-measures, the Sport Riding Mode also decreases DTC function to level 2 and sets the ABS to a mid-range profile.

The XDiavel's sporty side is fully expressed thanks to the Ducati Power Launch (DPL), which guarantees an extremely fast start from a standing position while maintaining control of the bike's dynamics in terms of traction and wheelies.





Impianto luci Full LED con DRL

Full LED lighting with DRL
The XDiavel's lighting is full LED*, turn signals included.
The XDiavel S features a highly characteristic headlight equipped with a DRL (Daytime Running Light) system*. This special daytime running light ensures the bike's perfect visibility during daylight hours and, thanks to its unique shape, also serves to make the XDiavel S one hundred percent recognizable during the day as well as at night.

*In those countries where it is permitted





XDiavel s premium, refined, innovative

With the S version, the XDiavel can fully express the values of craftsmanship and attention to detail. The wheels with their unique design, the exclusive glossy black paint for the tank, the seat with dual-material upholstery, and the natural anodised and brushed swingarm, together with the many aluminium details with visible machined finish, ensure that the XDiavel S is unique and precious. The engine is once more the undisputed star thanks to the glossy black finish and the aluminium belt covers with machined profiles. Exclusive equipment that is also confirmed in terms of componentry and technology, with Brembo M50 front callipers, DLC coating for the front fork, an innovative headlight with the Daytime Running Light (DRL)* system and the Ducati Multimedia System (DMS) module.

*In those countries where it is permitted





Forward controls. The forward controls of the XDiavel can be adjusted in three positions. A central footpegs kit and a rearward footpegs kit are available as optional accessories, both can be further adjusted to ensure the best ergonomic positioning for every rider.

Trellis frame. The XDiavel frame is a steel trellis frame linked to the engine heads that becomes a stressed element of the chassis.

Belt final drive. The XDiavel is the first Ducati to use belt final drive. A cruiser must-have, the system has been developed for the XDiavel so as to ensure reliable and safe transmission of the power supplied by the Ducati Testastretta DVT 1262. The advantages of the belt are silence, cleanliness, reduced maintenance and fluid response to changes in acceleration.

Adjustable suspensions. The XDiavel has a completely adjustable 50 mm front fork with black anodised outer tubes and DLC coating (on the S version). At the rear, an adjustable damper with a remote reservoir is mounted in an nearly

horizontal position and works together with a progressive linkage. In addition, both the front and rear suspension have been updated to ensure even greater comfort without sacrificing precision or effectiveness.

Steel fuel tank. The steel tank, with no cover, recalls the authenticity of the cruiser world while preserving, in its sleek and muscular lines, the Ducati DNA.

Single-sided swingarm. The single-sided swingarm of the XDiavel is created by combining three different technologies within the same component. The lower part is cast while the upper is composed of a tube trellis and an extractable forged element that allows for the transmission belt to be replaced.

Braking system. The XDiavel is equipped with a Brembo braking system with Cornering ABS as standard equipment. Front braking performance is ensured due to two 320 mm semifloating discs, radial Brembo monobloc 4-piston callipers with radial master cylinder. At the rear there is a 265 mm disc with a 2-piston floating calliper.



Servicing and maintenance

Safety as Standard

The continuous work that Ducati carries out in terms of design, research and development serves to ensure cutting-edge bikes characterised by maximum active safety levels. A commitment that involves the definition of increasingly advanced technological systems to increase the rider's level of control, such as the Ducati Safety Pack (DSP) that, for the XDiavel, includes Cornering ABS and Ducati Traction Control (DTC). Equipment that optimises the bike's dynamic performance in both braking and acceleration and offers numerous levels of adjustment for the intervention levels of the ABS and the DTC, ensuring maximum safety in all conditions.

More value to your passion

With Ever Red, the quality and reliability of the Ducati brand remain your inseparable travelling companions over time. Ever Red is the exclusive Ducati warranty extension programme. With its activation you can continue to feel protected for 12 or 24 months beyond the expiration of the Ducati Warranty (24 months). Ever Red includes roadside assistance for the entire coverage period and no mileage limits. In this way you can ride for all the kilometres you want, even abroad, enjoying your Ducati without any worries.

To find out if the Ever Red extension is available in your country and for further information contact your Ducati dealer or visit ducati.com

Enjoy the road, with confidence

The XDiavel is also born out of continuous investment in the quality of the design, materials and technologies. All of this ensures that the Testastretta DVT 1262 engine enjoys particularly long maintenance intervals. The use of specific materials for the valve seats, an improvement in combustion efficiency and the containing of operating temperatures mean that the XDiavel boasts maximum reliability and very simple management. Scheduled maintenance is only needed every 15,000 km, while the Desmo Service, which includes valve clearance adjustment and registration, performed only every 30,000 km. Hence, the XDiavel allows you to appreciate the low-speed excitement, with confidence.

Always by your side

One of Ducati's main goals is to offer every Ducatista the chance to enjoy unlimited and safe travel all over the world. To achieve this aim, Ducati offers a "fast delivery" original spares service, with delivery in 24/48 hours across 85% of the areas in which it operates. With a distribution network that covers more than 86 countries, thanks to 718 official Dealers and Service Points*, choosing a Ducati means you can travel worry-free and in total freedom, wherever the road may take you, and count on capillary support that ensures Ducati quality and professionalism is always close at hand.

718 Authorised dealers and service points

86 World countries

*Information updated as of July 2019



Ever Red
Extended Warranty



*Equal to 18,000 miles.

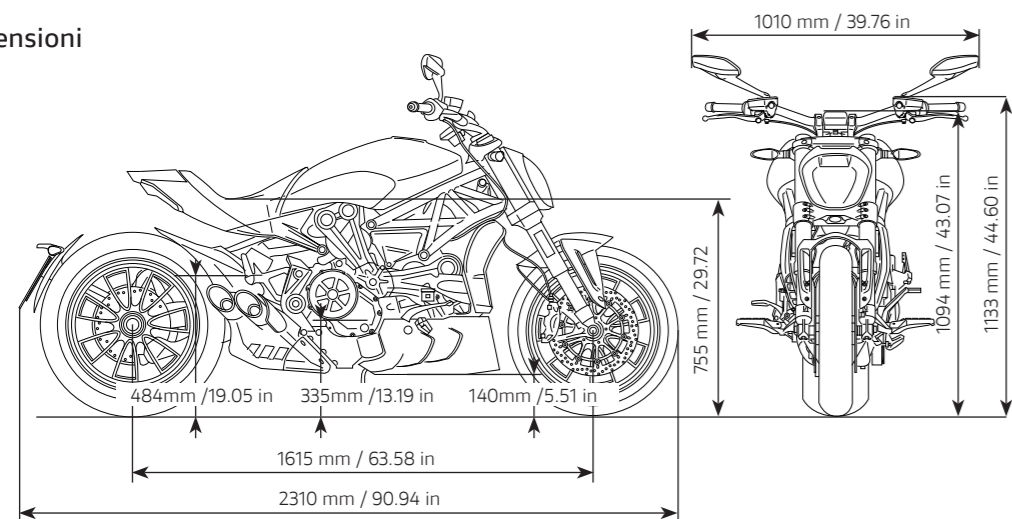




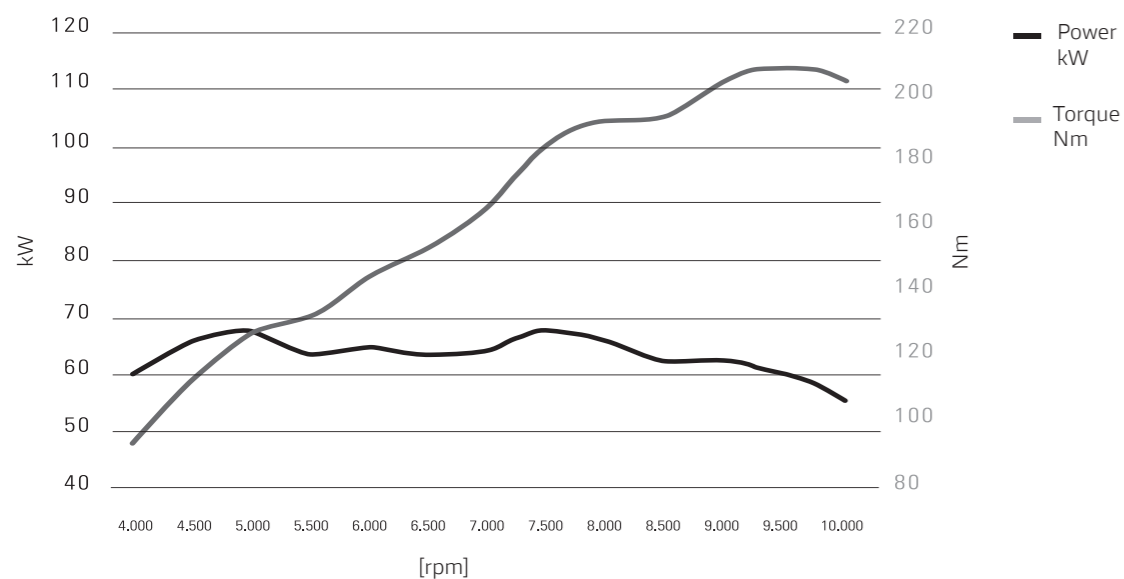
Technical data

XDIAVEL

Dimensioni



Curve di potenza / coppia



Engine

Engine	Ducati 1262 DVT (Desmodromic Variable Timing) Testastretta, L-Twin, 4 valves per cylinder, Dual spark, Liquid cooled
Displacement	1,262 cc (77.0 cu in)
Bore x stroke	106 x 71.5 mm (4.17 x 2.81 in)
Compression ratio	13:1
Power	112 kW (152 hp) @ 9,500 rpm
Torque	126 Nm (93 lb-ft, 12.8 kgm) @ 5,000 rpm
Fuel injection	Fuel injection system, Full Ride by Wire (RbW) system, Øeq 56 mm oval throttle bodies
Exhaust	Stainless steel exhaust and muffler with dual oval exits, Catalytic converter and 2 lambda probes

Transmission

Gearbox	6 speed
Primary drive	Straight cut gears, Ratio 1.84:1
ratio and gear	1=37/15, 2=30/17, 3=27/20 4=24/22, 5=23/24, 6=22/25
Final Drive	Belt, Front sprocket Z28, Rear sprocket Z80
Clutch	Slipper and self-servo wet multiplate clutch with hydraulic control

Chassis

frame	Tubular steel trellis frame
--------------	-----------------------------

front suspension	Adjustable Ø 50 mm usd fork
-------------------------	-----------------------------

front wheel	Light alloy, Cast, 3.5"x17"
--------------------	-----------------------------

front tyre	Pirelli Diablo Rosso II, 120/70 ZR17
-------------------	--------------------------------------

rear suspension	Single shock absorber, Adjustable preload and rebound, Remote reservoir, Single sided cast/trellis frame swingarm
------------------------	---

rear wheel	Light alloy, Cast, 8.0" x 17"
-------------------	-------------------------------

rear tyre	Pirelli Diablo Rosso II, 240/45 ZR17
------------------	--------------------------------------

wheel travel (front/rear)	120 mm/110 mm (4.72 in/4.33 in)
----------------------------------	---------------------------------

front brake	2 x Ø 320 mm semifloating discs, Radial Brembo monobloc 4-piston M4-32 callipers and radial master cylinder, Cornering ABS
--------------------	--

rear brake	Ø 265 mm disc, 2-piston floating calliper, Cornering ABS
-------------------	--

Instrumentation	3.5" TFT colour display and dedicated warning light display
------------------------	---

Dimensions and weight

dry weight	220 kg (485 lb)
-------------------	-----------------

Kerb weight	247 kg (545 lb)
--------------------	-----------------

Seat height	755 mm (29.72 in)
--------------------	-------------------

Wheelbase	1,615 mm (63.58 in)
------------------	---------------------

rake	30°
-------------	-----

trail	130 mm (5.12 in)
--------------	------------------

Fuel tank capacity	18 l (4.75 US gal)
---------------------------	--------------------

Number of seats	2
------------------------	---

Safety and technical equipment

Riding Modes, Power Modes, Ducati Safety Pack (Cornering ABS + Ducati Traction Control DTC)

Standard equipment

Ducati Power Launch (DPL), Cruise Control, Hands-free, Full-LED lighting system*, TFT colour display, Backlit handlebar switches

Provided equipment

Comfort passenger seat, Backrest

Ready for

Ducati Multimedia System (DMS), Anti-theft system

Warranty and maintenance

Warranty	24 months
-----------------	-----------

Maintenance service intervals	15,000 km (9,000 mi)/12 months
--------------------------------------	--------------------------------

Valve clearance check	Desmo Service 30,000 km (18,000 mi)
------------------------------	-------------------------------------

Emissions & consumption**

Standard	Euro 4
-----------------	--------

CO2 Emissions	124 g/km
----------------------	----------

Consumption	5,3 l/100 km
--------------------	--------------



Equal to 18,000 miles

Indication of mileage at the first Desmo Service, or rather the first service during which valve clearance is checked and adjusted if necessary.

* Please check with your dealer product availability.

** Only for countries where Euro 4 standard applies.

XDIAVEL S



	XDiavel	XDiavel S
Front suspension	Adjustable Ø 50 mm usd fork	Adjustable Ø 50 mm usd fork with DLC treatment
Front brake	2 x Ø 320 mm semifloating discs, Radial Brembo monobloc 4-piston M4-32 callipers and PR 18/19 radial master cylinder, Bosch Cornering ABS	2 x Ø 320 mm semifloating discs, Radial Brembo monobloc 4-piston M50 callipers and PR 16/19 radial master cylinder, Bosch Cornering ABS
Front wheel	Light alloy, Cast, 3.5"x17"	Light alloy, Cast and machined, 3.5"x17"
Rear wheel	Light alloy, Cast, 8.0" x 17"	Light alloy, Cast and machined, 8.0" x 17"
Swingarm	Single sided cast/trellis frame	Single sided cast/trellis frame, natural anodized and brushed
Engine finish	Matt black	Glossy black with machined belt covers
Seat	Standard	Premium
Mirrors	Plastic	Billet
Footpeg supports	Forged	Forged and machined
Lighting	Full-LED	Full-LED with Daytime Running Light (DRL)*
Ducati multimedia system (DMS)	Accessory	Standard equipment



1_ The exclusive design of the rear wheel with visible machining. 2_ The headlight with DRL daytime running light system. 3_ The M50 front brake calliper. 4_ The engine with polished black finish and machined aluminium covers. 5_ The XDiavel S radiator covers.

XDIAVEL



Bodywork: Matt Liquid Concrete Grey
Frame: Charcoal Black

XDIAVEL
S



Bodywork: Thrilling Black with matt black stripe and red pinstripe
Frame: Mineral Grey



Apparel &
accessories



1_Soul Leather jacket



2_Company C2 Leather jacket. Merge Open-face.



3_Soul Fabric-leather gloves

XDiavel tailor-made

The cruiser spirit of the XDiavel is expressed to the fullest through the numerous possibilities for customisation offered by its range of accessories. Drawing from the creativity of Roland Sands, American designer and customiser, Ducati Performance has produced a range of unique, elegant and sporty accessories which enhance the exclusivity of the XDiavel.

The ergonomics can also be personalised depending on the needs and tastes of each rider, thanks to seats, handlebars and footpegs. Owing to the exclusive titanium exhaust system created in collaboration with Termignoni, the Testastretta DVT 1262 engine can express its full potential ensuring extremely high performance levels. In addition, the XDiavel's complement of equipment can be further enriched by the Ducati Multimedia System (standard on the S version), which allows you to connect your bike to your smartphone and operate its features using a button on the handlebars, with the related information being displayed directly on the dashboard.

Try the online configurator and customise your new Ducati bike at configurator.ducati.com



Sport pack

Forward-set handlebar.
Forged aluminum rims set.
Handlebar aesthetic bushes.
Billet aluminium tank filler plug.

Touring pack

Roadster windshield.
Magnetic tank bag.
Supercomfort rider seat.

Urban pack

Billet aluminium front sprocket cover.
Billet aluminium frame plugs.
Billet aluminium handlebar weights.
Billet aluminium brake and clutch levers.
Anti-theft kit.

Package components can also be purchased individually.





2



3



4



5



6



7

1_Flange in billet aluminium. 2_Covers for brake and clutch fluid reservoirs. 3_Billet aluminium tank cap. 4_“Premium” rider seat.

5_Carbon cover for water radiator. 6_Billet aluminium clutch cover. 7_ Carbon rear mudguard.

Riding a motorcycle is the most exciting way to enjoy the road, and offering the utmost safety to the motorcyclist is Ducati's commitment. Ducati bikes are increasingly easy to handle, reliable and better equipped to guarantee maximum safety and enhance riding pleasure. Technical clothing is made with more and more advanced materials for adequate protection and increased visibility. The safety of motorcyclists is Ducati's commitment. For more information visit the safety section of the Ducati site (www.ducati.com).

WARNING: The photos and technical information in this catalogue may refer to prototypes subject to modifications during production and are purely for illustration and reference purposes, and are therefore not binding on Ducati Motor Holding S.p.A. Sole Shareholder Company - Company subject to the direction and coordination of AUDI AG ("Ducati"). Ducati cannot be held responsible for any print and/or translation errors. This catalogue is transnational and therefore some products may not be available and/or their features may vary in accordance with local laws. Not all colours and versions are available in each country. Ducati reserves the right to make changes and improvements to any product without obligation of prior notice or to make such changes to products already sold. Further characteristics of the products are contained in the pertinent owner's manuals. The products represented are not definitive versions

and are therefore subject to significant changes at Ducati's discretion without prior notice. The photographs published in this catalogue show only professional riders under controlled street conditions. Do not attempt to imitate such riding behaviour as it could be dangerous for you or other people on the road. This catalogue, including but not limited to the trademarks, logos, texts, images, graphics and table of contents herein, constitute Ducati intellectual property, or in any event Ducati has the right to reproduce it; any reproduction, modification or other whole or partial use of the catalogue or its contents, including publication on the Internet without the prior written consent of Ducati, is prohibited.

Actual fuel consumption may vary based on many factors, including but not limited to riding style, maintenance performed, weather conditions, surface characteristics, tyre pressure, load, weight of the rider and the passenger, accessories.

Ducati indicates the dry weight of the motorcycle excluding battery, lubricants and coolants for liquid-cooled models. The weights in running order are considered with all operating fluids, standard equipment and the fuel tank filled to 90% of its useful capacity (UE regulation no. 168/2013). For more information visit www.ducati.com.

September 2019.



WDW2020
WORLD DUCATI WEEK
17th - 19th July / Misano, Italy
wdw.ducati.com

Developed with  Shopify

Technical partner 